
POWER PLANT MOUNT

CONTENTS

32109000226

GENERAL INFORMATION	2	REAR ENGINE MOUNTING	5
SPECIAL TOOL	3	FRONT DIFFERENTIAL MOUNTING	7
FRONT ENGINE MOUNTING	4	FRONT SUSPENSION CROSSMEMBER	9



GENERAL INFORMATION

The engine and transmission assembly is supported at four points, where insulators are used. (Two points for the engine, one point for the transmission, and one point for the transfer.)

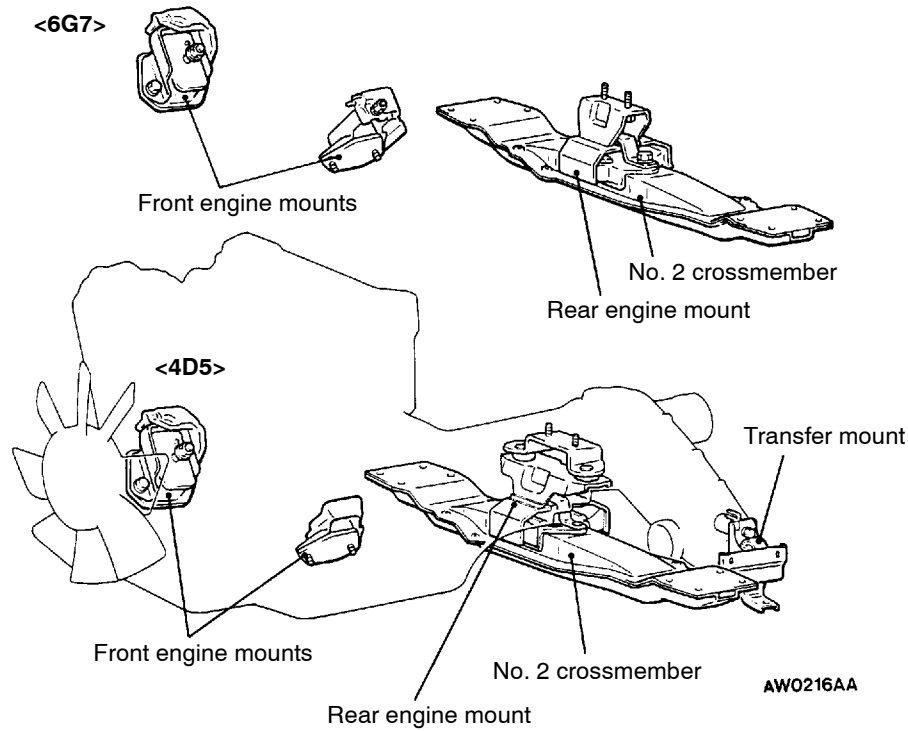
The differential assembly is supported at three points, where mounting brackets and mounting rubber pieces are used.

The front suspension crossmember is bolted to the frame and supports the front differential.

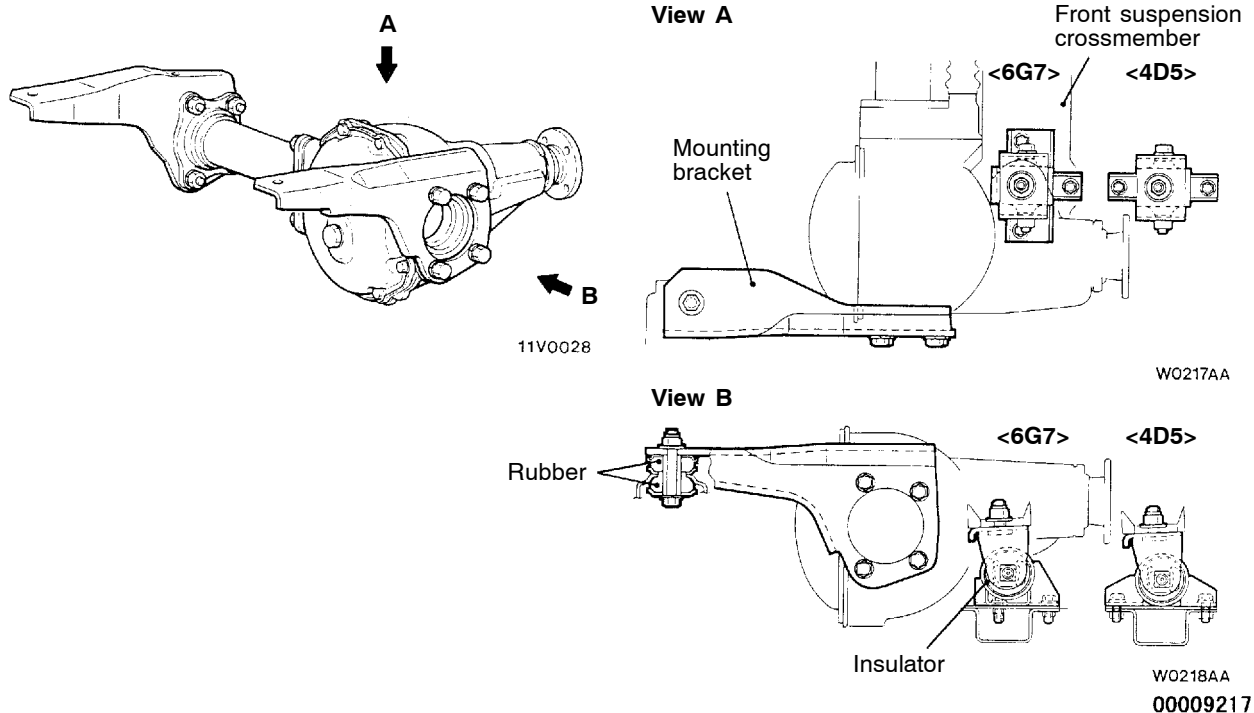
The number 2 crossmember is bolted to the frame and supports the transmission and transfer.

CONSTRUCTION DIAGRAM

Engine mount

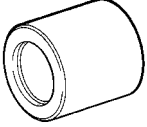


Front differential mount



SPECIAL TOOL

32100060193

Tool	Number	Name	Use
	MB991118	Inner arm bush remover & installer	Front differential mounting insulator replacement

FRONT ENGINE MOUNTING

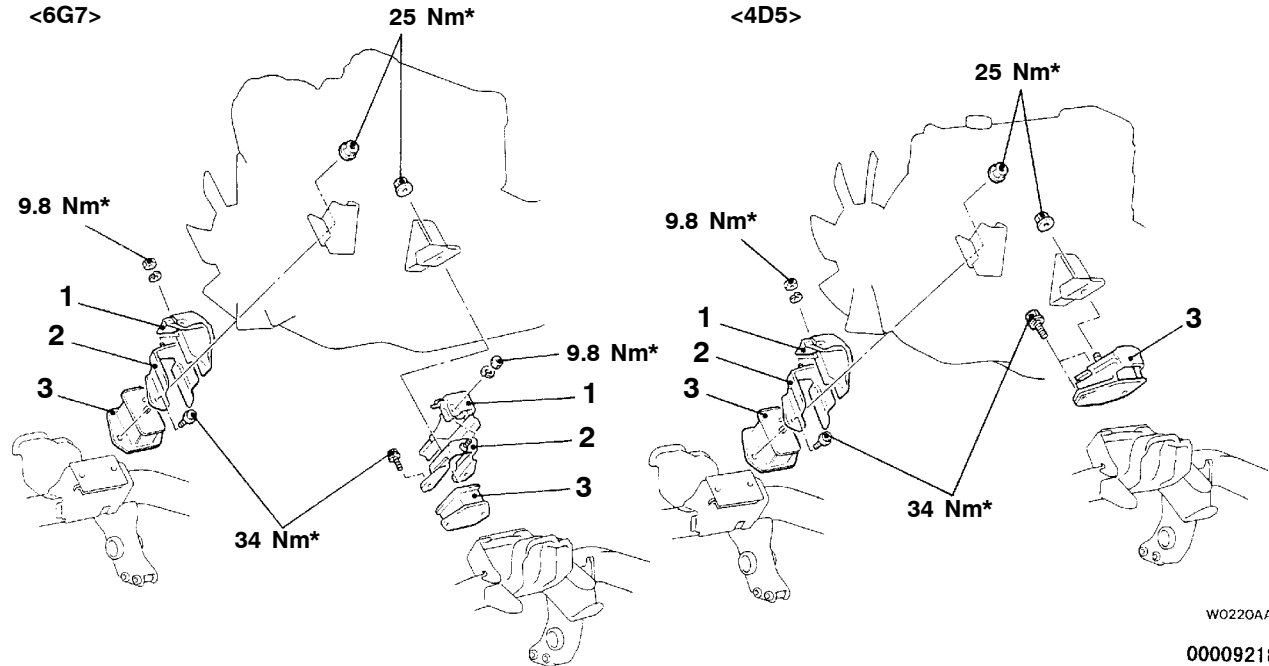
REMOVAL AND INSTALLATION

Caution

*: Indicates parts which should be initially tightened, and then fully tightened after placing the vehicle horizontally and loading the full weight of the engine on the vehicle body.

Pre-removal and Post-installation Operation

- Air Cleaner Assembly Removal and Installation (Refer to GROUP 15 – Air Cleaner.)
- Under Skid Plate and Under Cover Removal and Installation



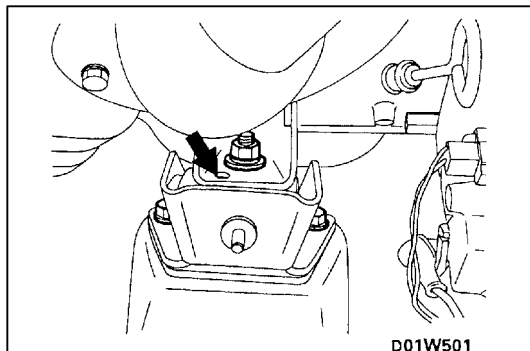
W0219AA

W0220AA
00009218

Removal steps

- Engine assembly removal (Refer to Group 11 – engine assembly.)
- 1. Heat protector

- ▶A◀ 2. Front insulator stopper
- ▶A◀ 3. Front engine support insulator



D01W501

INSTALLATION SERVICE POINT

▶A◀ FRONT ENGINE SUPPORT INSULATOR INSTALLATION

Make sure that the locating boss and hole are in alignment.

Caution

Do not distort rubber portions, and never stain rubber portions with fuel or oil.

INSPECTION

32100120075

- Check the insulators for cracks, separation or deformation.
- Check the front insulator stoppers for deformation.

REAR ENGINE MOUNTING

32100110409

REMOVAL AND INSTALLATION

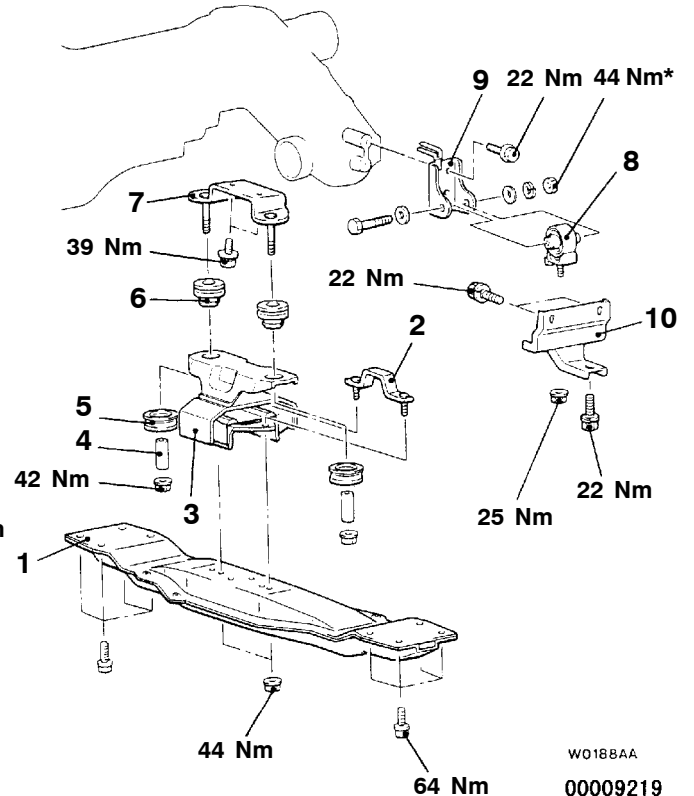
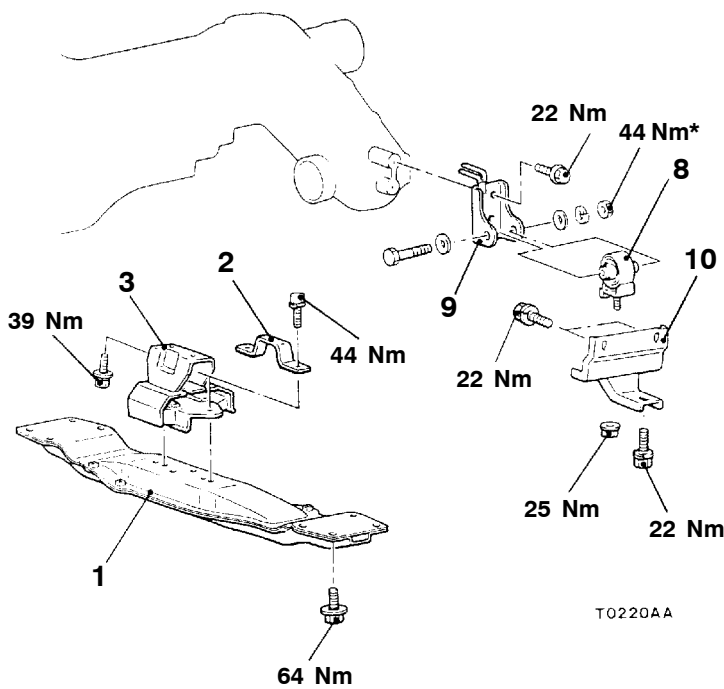
Caution

*: Indicates parts which should be initially tightened, and then fully tightened after placing the vehicle horizontally and loading the full weight of the engine on the vehicle body.

- Pre-removal and Post-installation Operation**
- Transfer Case Protector Removal and Installation

<6G7>

<4D5>

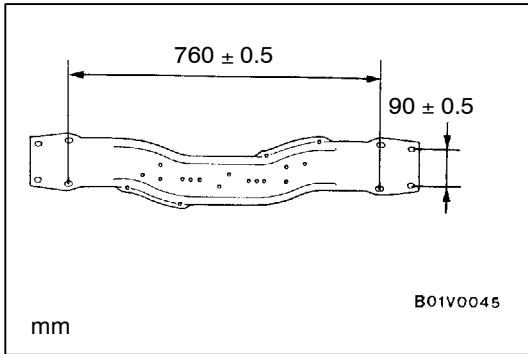
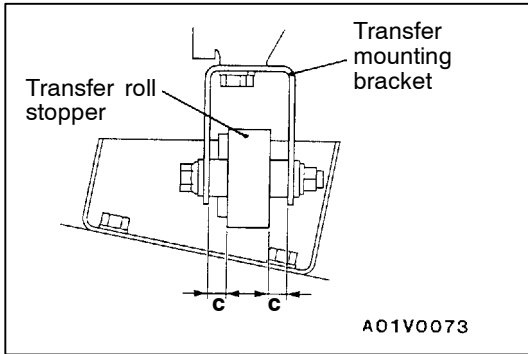
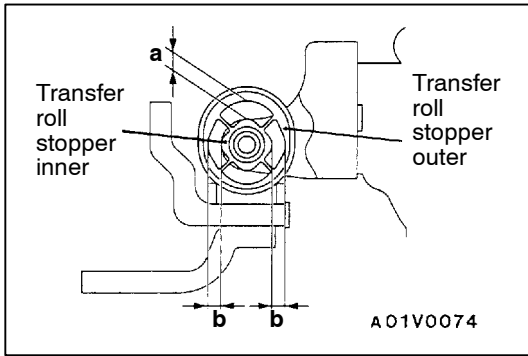


Removal steps

- Hold the transmission with a transmission jack.
1. No.2 crossmember
 2. Stopper
 3. Rear engine support insulator
 4. Collar <4D5>



5. Lower bush <4D5>
6. Upper bush <4D5>
7. Transmission mounting plate <4D5>
8. Transfer roll stopper
9. Transfer mounting bracket
10. Transfer support bracket



INSTALLATION SERVICE POINT

▶A◀ TRANSFER ROLL STOPPER INSTALLATION

1. Tighten the transfer roll stopper provisionally.
2. Make the engine and transmission assembly rest on the engine mount.
3. Tighten the transfer roll stoppers inner and outer finally so that the clearance (a) between the two are at approx. 10 mm
4. Check that the right and left clearances (b) between the stoppers are equal.
5. Check that the clearances (c) between the transfer roll stopper and transfer mounting bracket are equal.

NOTE

A new transfer roll stopper consists of one part, but will separate into outer and inner part during use. This is normal.

INSPECTION

32100120167

- Check the insulators for cracks, separation or deformation.
- Check the transfer mounting bracket for deformation or corrosion.
- Check the transfer support bracket for deformation or corrosion.
- Check the No. 2 crossmember for deformation or corrosion.

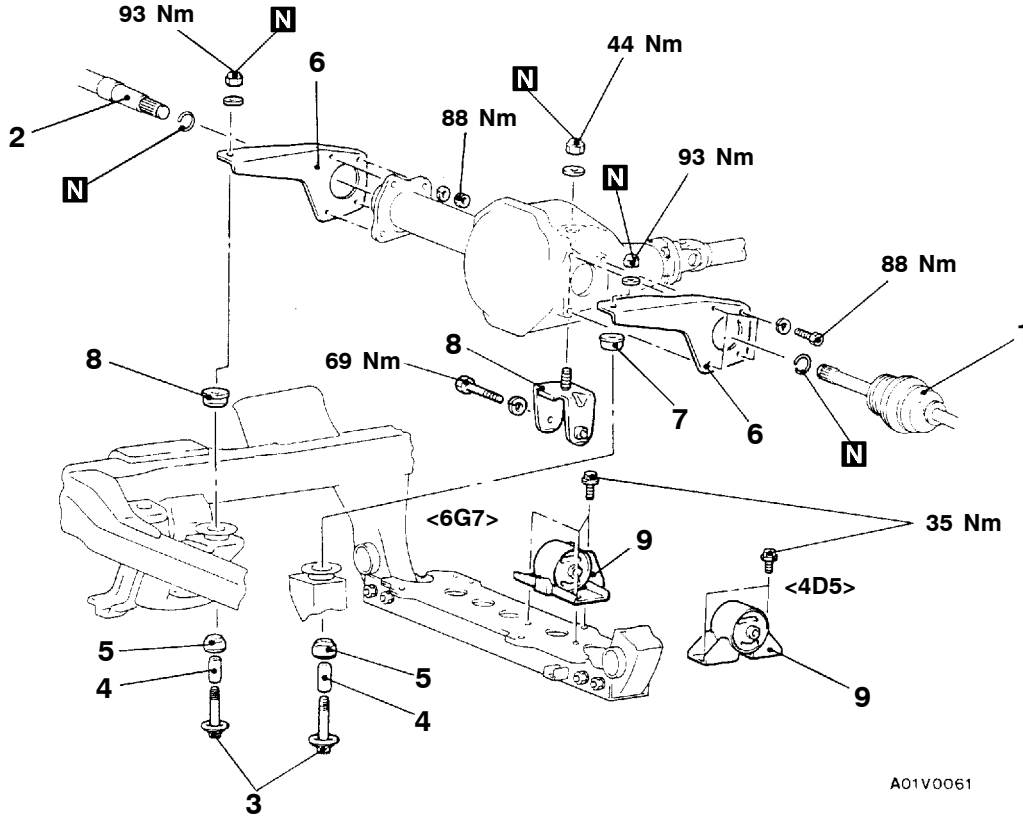
FRONT DIFFERENTIAL MOUNTING

32100170100

REMOVAL AND INSTALLATION

Pre-removal and Post-installation Operation

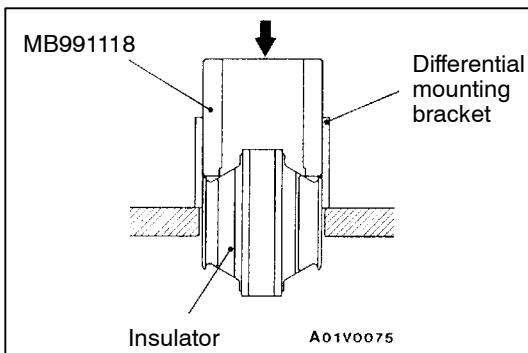
- Under Skid Plate and Under Cover Removal and Installation



Removal steps

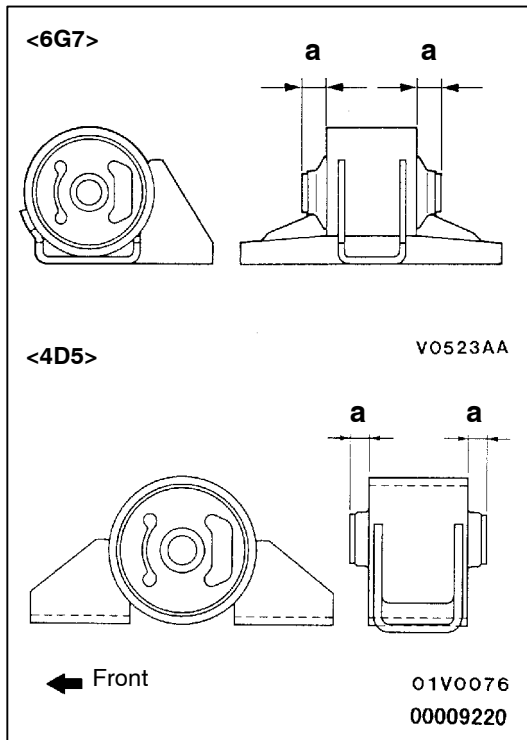
- Hold the front differential with a transmission jack.
1. Drive shaft (Refer to Group 26 – drive shaft.)
 2. Inner shaft (Refer to Group 26 – inner shaft.)
 3. Pin

4. Spacer
5. Differential mounting rubber B
6. Differential mounting bracket
7. Differential mounting rubber A
8. Differential support bracket
9. Differential mounting bracket



FRONT DIFFERENTIAL MOUNTING INSULATOR REPLACEMENT

1. Use special tool to press-fit and remove the insulator.



2. Install the insulator in the direction shown in the figure so that the projection lengths (a) are equal.

INSPECTION

32100180028

- Check the differential mounting brackets for deformation and damage.
- Check the differential support bracket for deformation and damage.
- Check the insulators for cracks, separation or deformation.
- Check the differential mounting rubber for cracks and damage.

FRONT SUSPENSION CROSSMEMBER

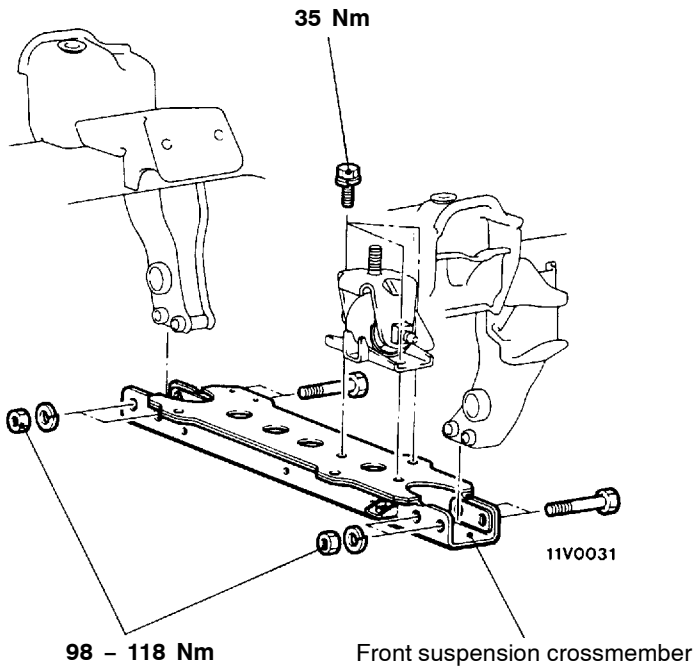
32100350030

REMOVAL AND INSTALLATION

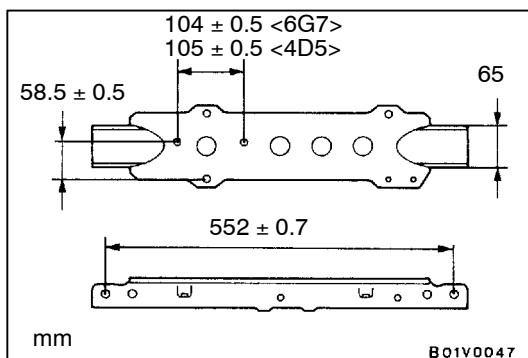
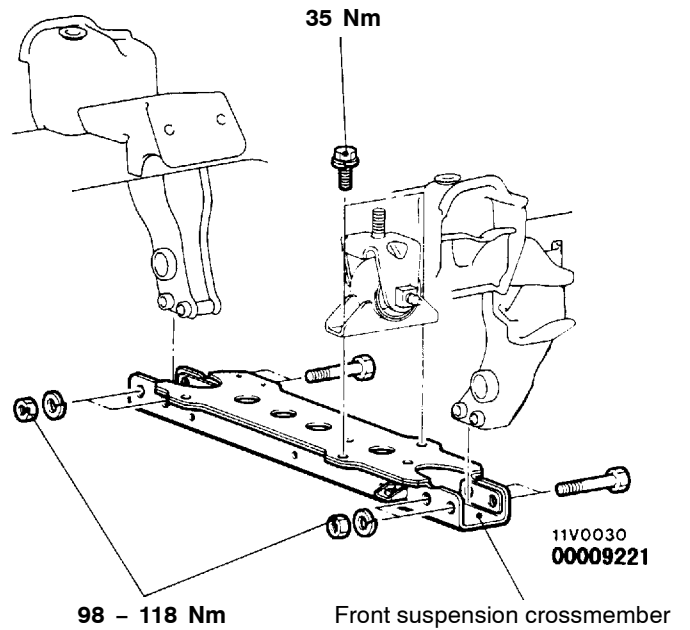
Pre-removal and Post-installation Operation

- Under Cover Removal and Installation

<6G7>



<4D5>



INSPECTION

32100360026

- Check the crossmembers for cracks or damage.
- Check that the crossmembers measure as illustrated.

NOTES