
REAR SUSPENSION

CONTENTS

34109000213

GENERAL INFORMATION	2	LOWER ARM	4
SERVICE SPECIFICATIONS	2	Lower Arm Rear Bushing Replacement	5
SPECIAL TOOLS	3	SHOCK ABSORBER AND LATERAL ROD ...	6
ON-VEHICLE SERVICE	3	Lateral Rod Bushing Replacement	6
Rear Wheel Alignment	3	COIL SPRING AND AXLE BUMPER	7
		STABILIZER BAR	8



GENERAL INFORMATION

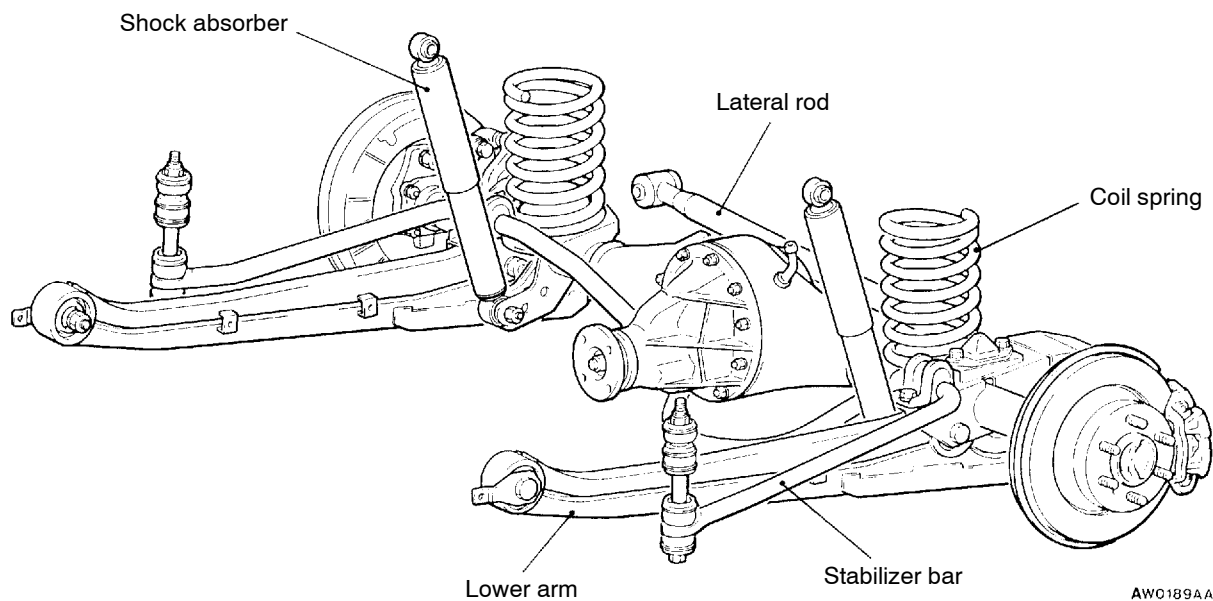
34100010284

The rear suspension is the 3 link coil spring type axle suspension, which assures comfortable ride and outstanding steering stability.

COIL SPRING

Items	Specifications
Wire dia. x O.D. free length mm	13 x 159 x 366

CONSTRUCTION DIAGRAM



AW0189AA

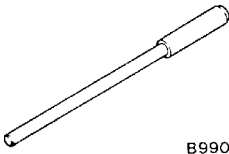
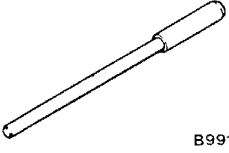
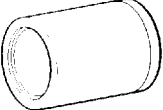
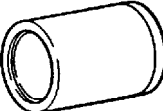
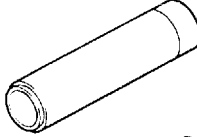
SERVICE SPECIFICATIONS

34100030242

Items	Standard value
Toe-in mm	0 (Non adjustable)
Camber	0° (Non adjustable)
Protrusion amount of stabilizer bar mounting bolt mm	15 – 17

SPECIAL TOOLS

34100060197

Tool	Number	Name	Use
 B990650	MB990650	Lower arm bushing arbor	<ul style="list-style-type: none"> • Lateral rod bushing removal and installation • Lateral rod removal and press fitting
 B991318	MB991318	Lower arm bushing arbor	<ul style="list-style-type: none"> • Lower arm rear bushing removal and press fitting • Lower arm bushing removal and press fitting
	MB990971	Rear wheel bearing and installer joint	
	MB990891	Bushing remover and installer base	
 B991411	MB991411	Rear wheel bearing and hub installer joint	

ON-VEHICLE SERVICE

34101100034

REAR WHEEL ALIGNMENT

The rear suspension assembly must be free of worn, loose or damaged parts prior to measurement of rear wheel alignment.

Standard value:

Toe-in 0 mm

Camber 0°

NOTE

Toe-in and camber are set at the factory and cannot be adjusted. If toe-in or camber is not within the standard value, check or replace bent or damaged parts.

LOWER ARM

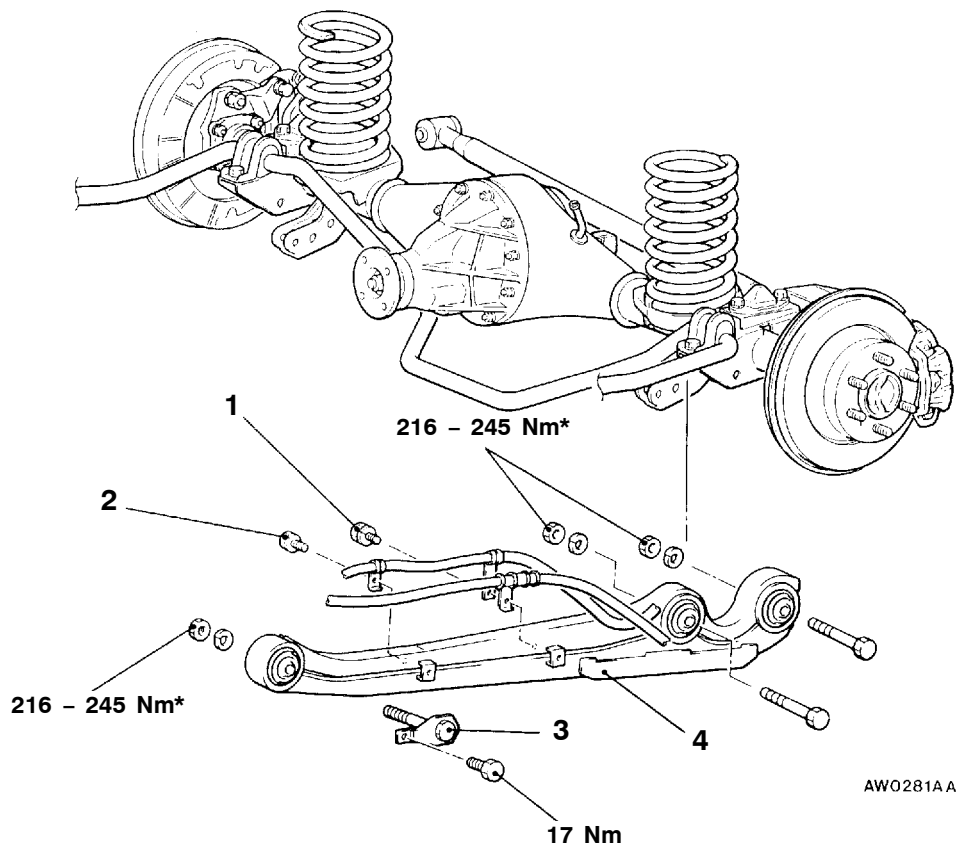
REMOVAL AND INSTALLATION

Caution

*: Indicates parts which should be temporarily tightened, and then fully tightened with the vehicles on the ground in the unladen condition.

Pre-removal Operation

- Support the axle housing with a jack



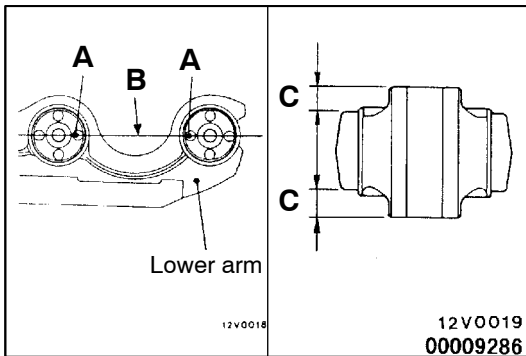
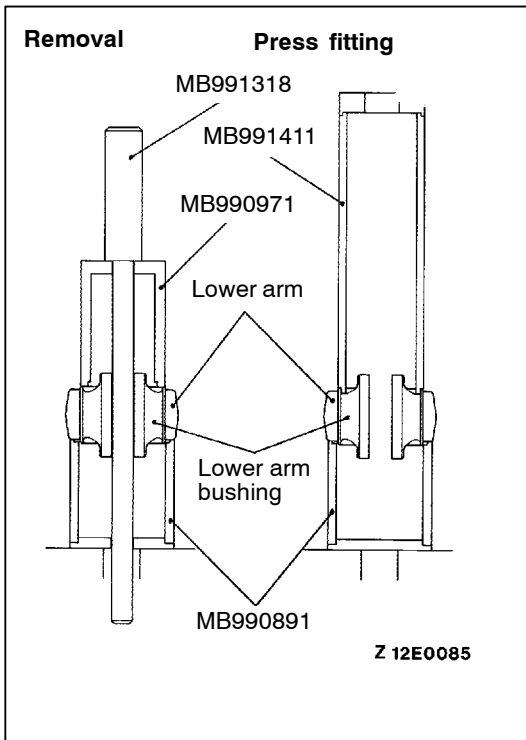
Removal steps

- | | |
|--|------------------|
| 1. Parking brake attaching bolt | 3. Bolt assembly |
| 2. Speed sensor attaching bolt
<Vehicle with ABS> | 4. Lower arm |

LOWER ARM BUSHING REPLACEMENT

34101110051

1. Use the special tools and the press to drive out and press fit the lower arm bushing.



2. Position the lower arm rear bushing holes A as shown in the illustration to align the holes A and line B, and then use the special tools to press the lower arm rear bushings into the lower arm. Equalize the protrusion amounts (dimensions C) of lower arm rear bushing.

SHOCK ABSORBER AND LATERAL ROD

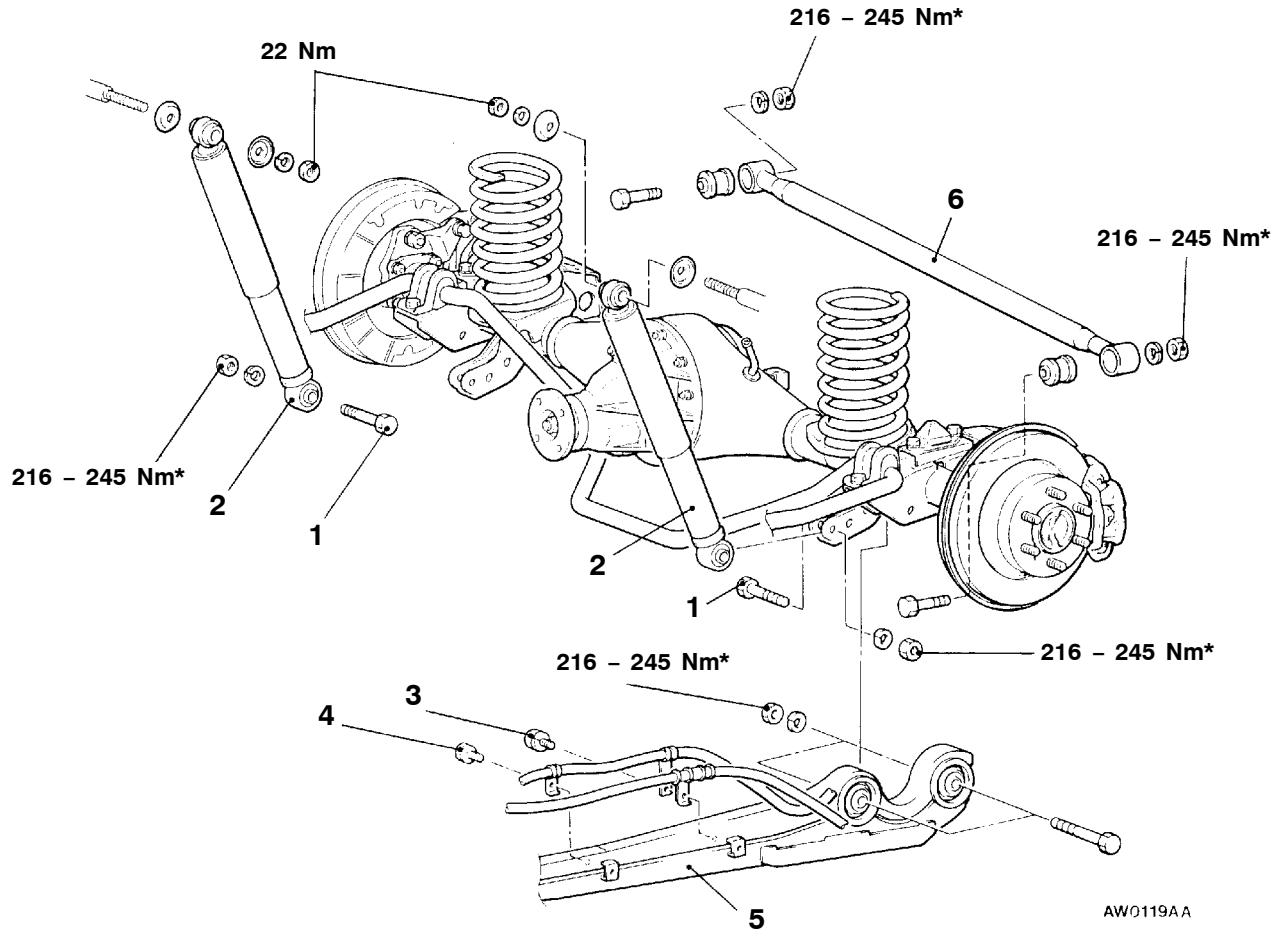
REMOVAL AND INSTALLATION

Caution

*: Indicates parts which should be temporarily tightened, and then fully tightened with the vehicles on the ground in the unladen condition.

Pre-removal Operation

- Support the axle housing with a jack

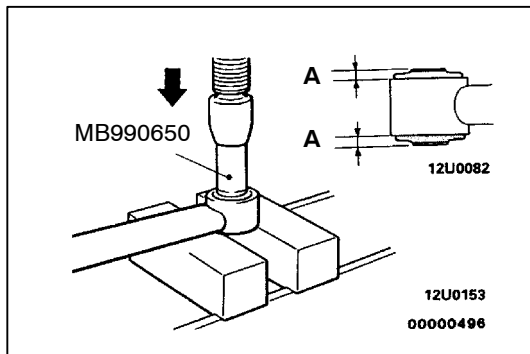


Shock absorber removal steps

1. Shock absorber mounting bolt
2. Shock absorber

Lateral rod removal steps

3. Parking brake cable attaching bolt (L.H.)
4. Speed sensor attaching bolt (L.H.) <Vehicles with ABS>
5. Lower arm (L.H.)
6. Lateral rod



LATERAL ROD BUSHING REPLACEMENT

1. Use the special tool to drive out and press in the lateral rod bushing.
2. Install the bushing so that the projection length (A) is uniform.

COIL SPRING AND AXLE BUMPER

34100940033

REMOVAL AND INSTALLATION

Caution

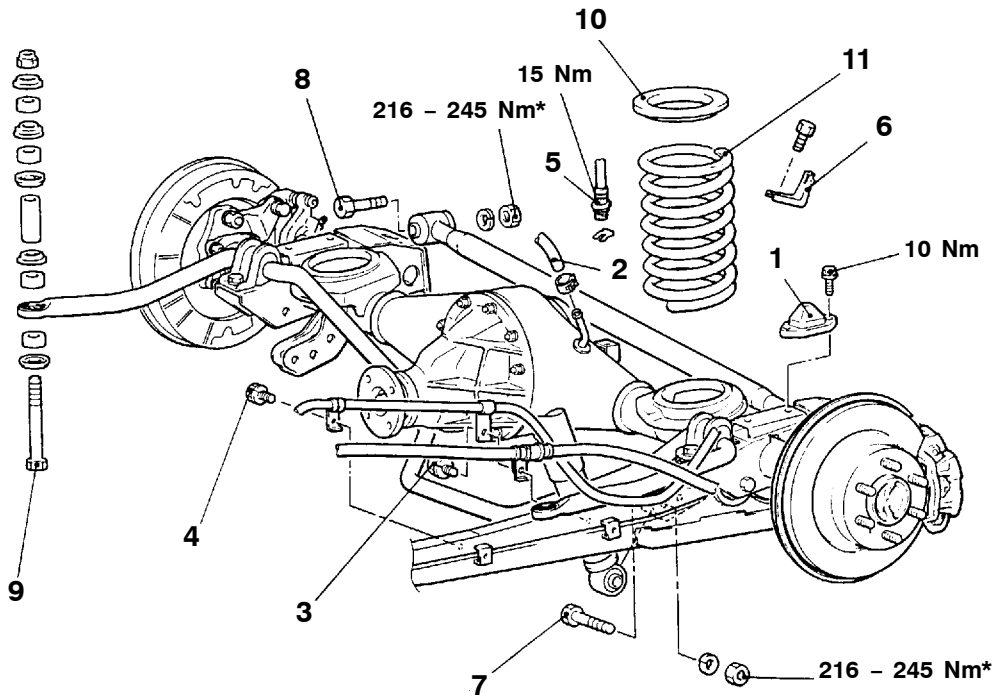
*: Indicates parts which should be temporarily tightened, and then fully tightened with the vehicles on the ground in the unladen condition.

Pre-removal Operation

- Support the axle housing with a jack

Post-installation Operation

- Brake Fluid Filling and air bleeding (Refer to GROUP 35A – On-vehicle Service.)



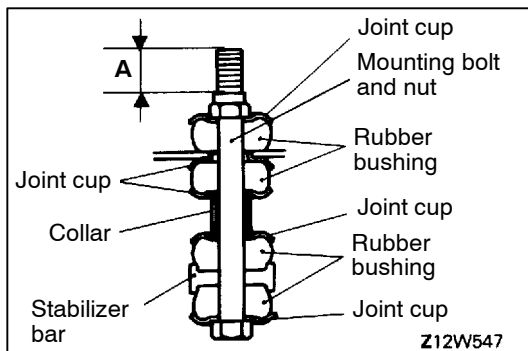
AW0120AA

1. Rear axle bumper

Coil spring removal steps

2. Breather hose
3. Parking brake cable attaching bolt
4. Speed sensor attaching bolt <Vehicle with ABS>
5. Brake hose connection
6. Spring support

7. Shock absorber mounting bolt (lower side only)
8. Lateral rod mounting bolt (vehicle side only)
9. Stabilizer bar mounting bolt
10. Rear spring pad
11. Coil spring



INSTALLATION SERVICE POINT

▶A◀ STABILIZER BAR MOUNTING BOLT INSTALLATION

1. To install the stabilizer, assemble the joint cups and rubber bushings by the order and the specified direction as shown in the figure.
2. Install the nut on the stabilizer bar mounting bolt to the specified dimensions.

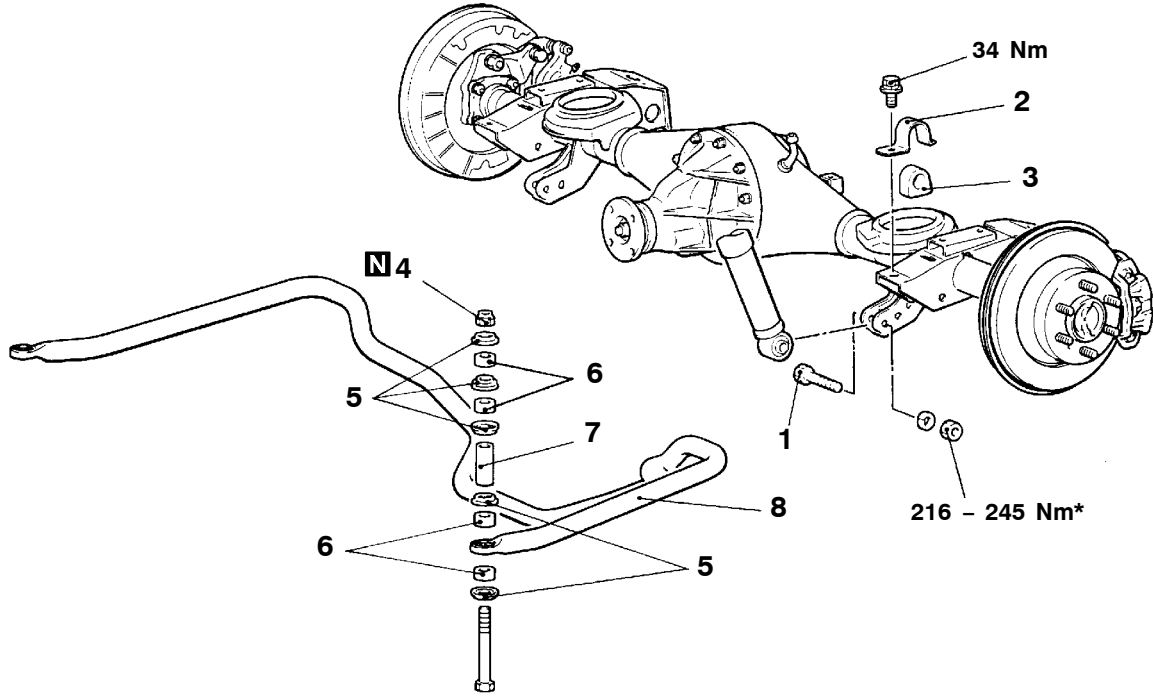
Standard value (A): 15 – 17 mm

STABILIZER BAR

REMOVAL AND INSTALLATION

Caution

*: Indicates parts which should be temporarily tightened, and then fully tightened with the vehicles on the ground in the unladen condition.

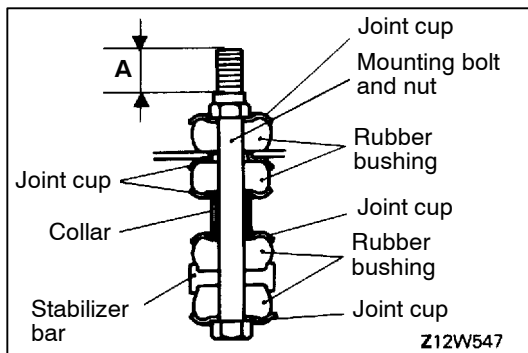


AW0191AA

Removal steps

1. Shock absorber mounting bolt (lower side only)
2. Bracket
3. Bushing
- ▶◀ 4. Stabilizer bar mounting bolt and nut

5. Joint cup
6. Rubber bushing
7. Collar
8. Stabilizer bar



INSTALLATION SERVICE POINT

▶◀ STABILIZER BAR MOUNTING BOLT AND NUT INSTALLATION

1. To install the stabilizer bar, assembly the joint cups and rubber bushings by the order and specified direction as shown in the figure.
2. Install the nut on the stabilizer bar mounting bolt to the specified dimensions.

Standard value (A): 15 – 17 mm