
PARKING BRAKES

CONTENTS

36109000262

GENERAL INFORMATION	2	Parking Brake Lever Stroke Check	3
SERVICE SPECIFICATIONS	2	Parking Brake Switch Check	4
LUBRICANTS	2	PARKING BRAKE LEVER	5
SEALANT	2	PARKING BRAKE CABLE	6
ON-VEHICLE SERVICE	3	PARKING BRAKE DRUM	7

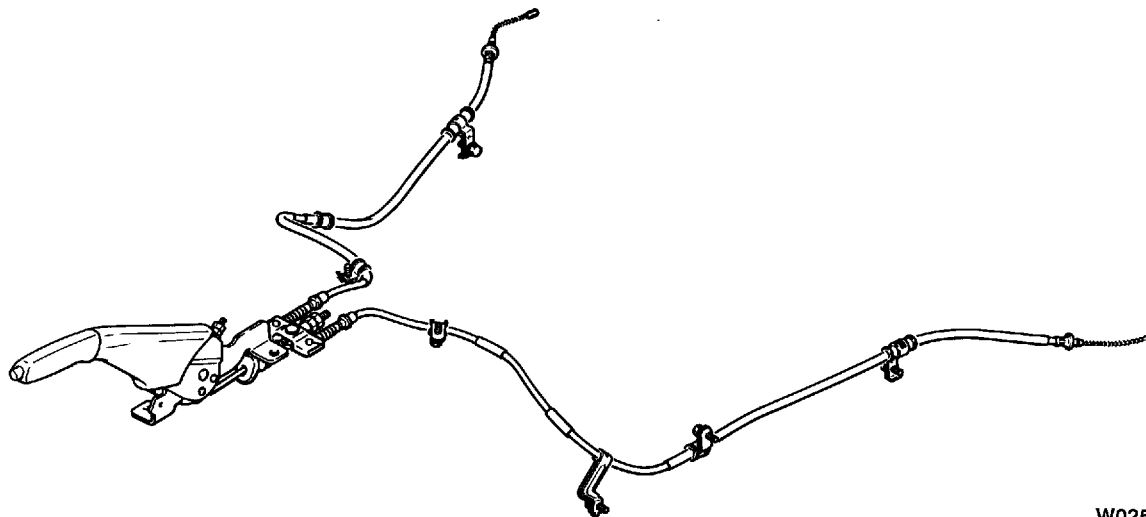


GENERAL INFORMATION

36100010233

The parking brake is lever type of a mechanical rear-wheel brake construction in all vehicles.

CONSTRUCTION DIAGRAM



SERVICE SPECIFICATIONS

36100030215

Item	Standard value	Limit
Parking brake stroke	6 – 7 notches	–
Lining thickness mm	–	4.5
Brake drum inside diameter mm	197	198

LUBRICANTS

36100040133

Item	Specifications
Backing plate	Brake grease SAE J310, NLGI No.1
Adjuster assembly	
Shoe and lining assembly	

SEALANT

36100050044

Item	Specifications	Remarks
Shoe hold-down pin	3M ATD Part No.8513 or equivalent	Drying sealant

ON-VEHICLE SERVICE

36100090220

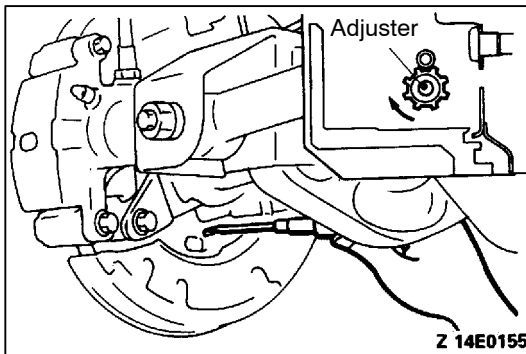
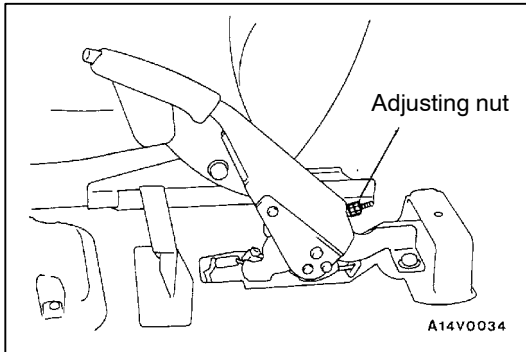
PARKING BRAKE LEVER STROKE CHECK

1. Pull the parking lever with a force of approximately 196 N and count the number of notches.

Caution

The 196 N force of the parking brake lever must be strictly observed.

Standard value: 6 – 7 notches



2. Lever Stroke Adjustment
<Adjustment procedure (from passenger compartment)>
If the parking brake lever stroke is not the standard value, adjust as described below.
 - (1) Jack up the rear of the vehicle and support on jack stands and remove the rear wheels.
 - (2) Loosen the parking brake cable adjusting nut to the end of the cable rod, to allow slack in the cables.
 - (3) Remove the adjustment hole plug and then use a flat-tipped screwdriver to turn the adjuster as shown in the illustration until the disc will not rotate. Return the adjuster 3 or 4 notches in the opposite direction to the direction of the arrow.
 - (4) Turn the adjusting nut to adjust the parking brake lever stroke to within the standard value range.

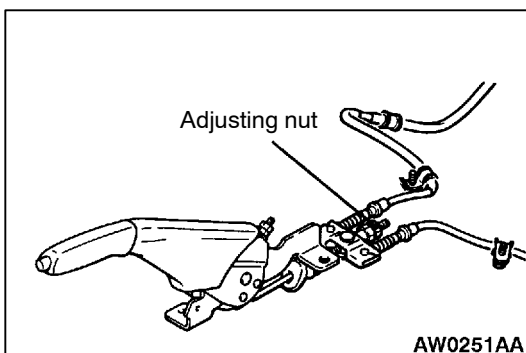
Caution

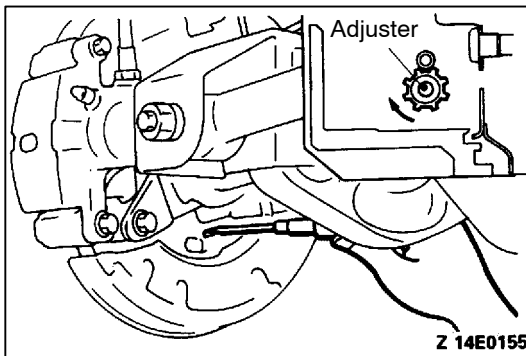
If the number of the brake lever notches engaged is less than the standard value, the cable has been pulled excessively. Be sure to adjust it to the standard value.

- (5) Check that there is no play between the adjusting nut and the parking brake lever.
- (6) Turn the rear wheel to confirm that the rear brakes are not dragging.
- (7) Remove the jack stands and lower the vehicle to the floor. Retorque the wheel nuts to the specified torque.

<Adjustment procedure (from under the vehicle)>
If the parking brake lever stroke is not the standard value, adjust as described below.

- (1) Jack up the rear of the vehicle and support on jack stands and remove the rear wheels.
- (2) Loosen the parking brake cable adjusting nut to the end of the cable rod, to allow slack in the cables.

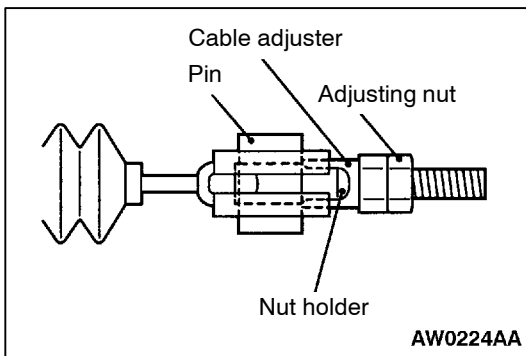




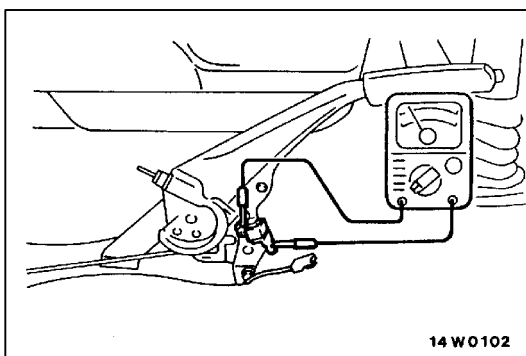
- (3) Remove the adjustment hole plug and then use a flat-tipped screwdriver to turn the adjuster as shown in the illustration until the disc will not rotate. Return the adjuster 3 or 4 notches in the opposite direction to the direction of the arrow.
- (4) Turn the adjusting nut to adjust the parking brake lever stroke to within the standard value range.

Caution

If the number of the brake lever notches engaged is less than the standard value, the cable has been pulled excessively. Be sure to adjust it to the standard value.



- (5) After completing the adjustment, check to be sure that there is no play between the adjusting nut and the pin. Also check that the adjusting nut is securely held by the nut holder.
- (6) With the parking brake lever in the released position, turn the rear wheels to confirm that the rear brakes are not dragging.
- (7) Remove the jack stands and lower the vehicle to the floor. Retorque the wheel nuts to the specified torque.



PARKING BRAKE SWITCH CHECK

36100330131

1. Disconnect the connector of the parking brake switch, and connect an ohmmeter between the parking brake switch and the switch installation bolt.
2. The parking brake switch is good if there is continuity when the parking brake lever or parking brake pull rod is pulled, and there is no continuity when it is released.

PARKING BRAKE LEVER

36100130298

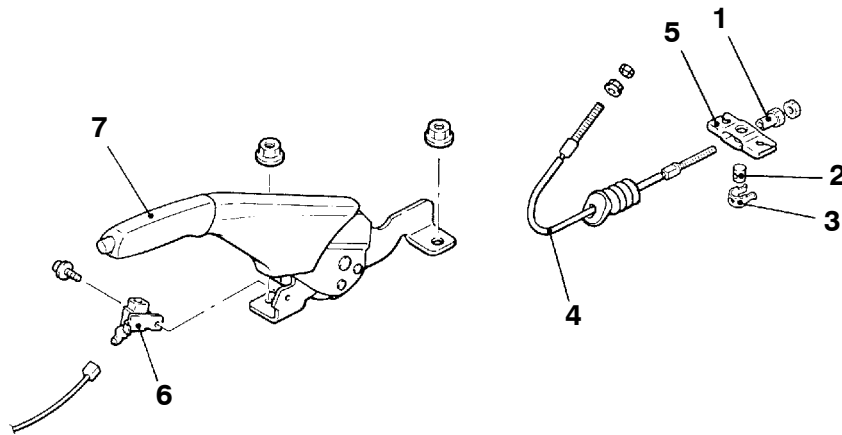
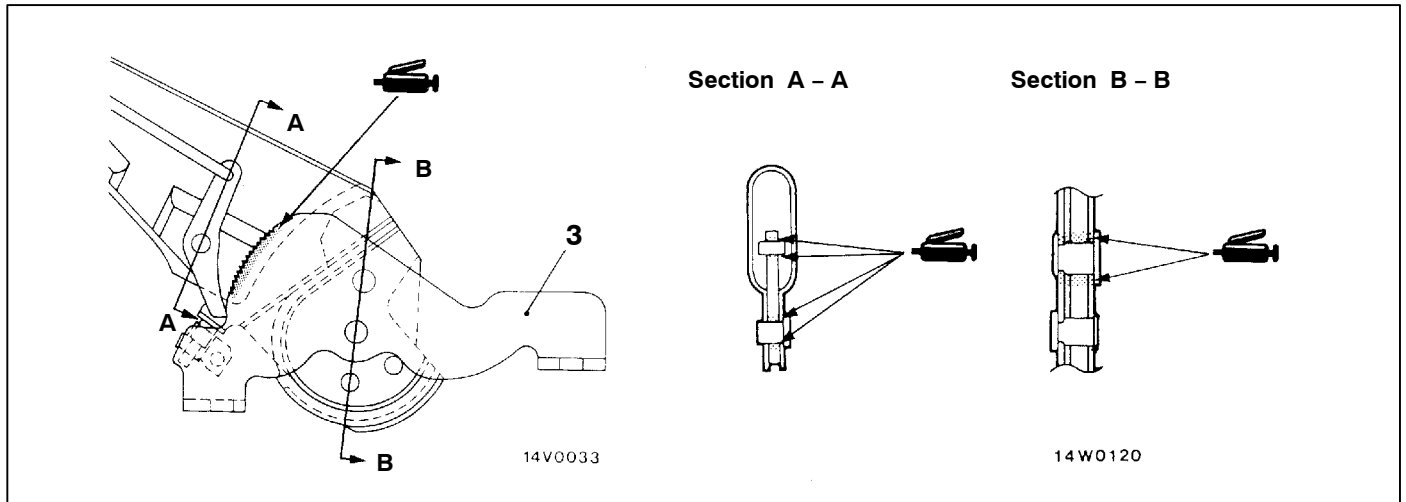
REMOVAL AND INSTALLATION

Pre-removal Operation

- Floor Console Removal
(Refer to GROUP 52A – Floor Console.)

Post-installation Operation

- Floor Console Installation
(Refer to GROUP 52A – Floor Console.)
- Parking Brake Lever Stroke Adjustment
(Refer to P.36-3.)



W0252AA

00009227

Removal steps

1. Cable adjuster
2. Pin
3. Nut holder
4. Front parking brake cable
5. Cable equalizer
6. Parking brake switch
7. Parking brake lever

PARKING BRAKE CABLE

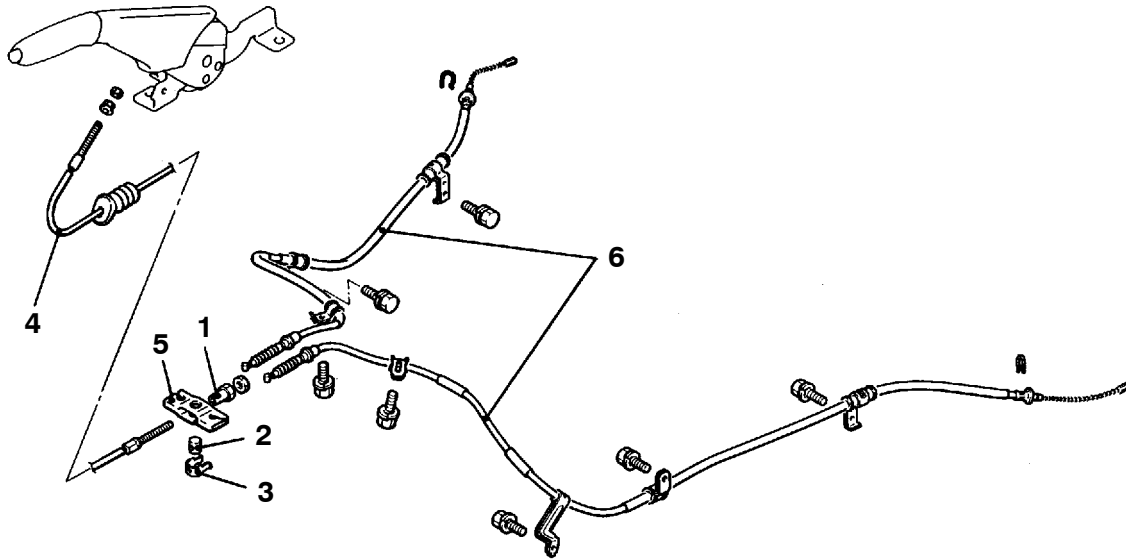
REMOVAL AND INSTALLATION

Pre-removal Operation

- Floor Console Removal
(Refer to GROUP 52A – Floor Console.)

Post-installation Operation

- Floor Console Installation
(Refer to GROUP 52A – Floor Console.)
- Parking Brake Lever Stroke Adjustment
(Refer to P.36-3.)



AW0253AA

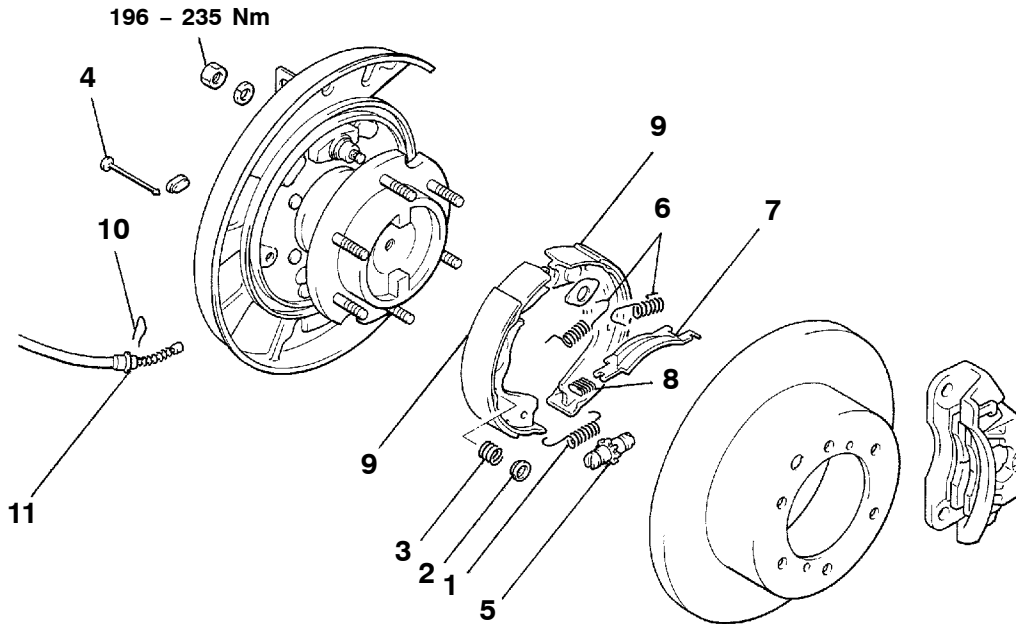
Removal steps

- Shoe and lining assembly (Refer to P.36-7.)
- 1. Cable adjuster
- 2. Pin

- 3. Nut holder
- 4. Front parking brake cable
- 5. Cable equalizer
- 6. Parking brake cable

**PARKING BRAKE DRUM
REMOVAL AND INSTALLATION**

36100250178



14W0103

<p>14E0031</p>	<p>14E0026</p> <p>Parking lever pin</p> <p>14E0027</p>
<p>Sealant: 3M ATD Part No. 8513 or equivalent</p>	<p>Brake grease: Brake grease SAE J310, NLGI No. 1</p>

00005993

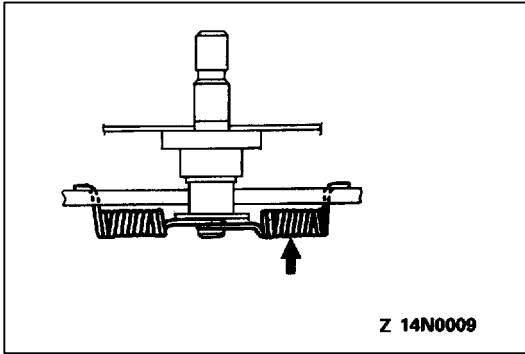
Removal steps

- Rear brake disc assembly (Refer to GROUP 35A – Rear Disc Brake.)

1. Adjusting wheel spring
2. Shoe hold-down cup
3. Shoe hold-down spring
4. Shoe hold-down pin



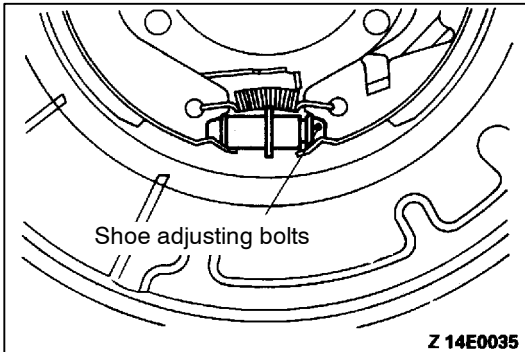
5. Adjuster assembly
6. Anchor-to-shoe spring
7. Strut
8. Strut-to-shoe spring
9. Shoe and lining assembly
10. Clip
11. Parking brake cable connection



INSTALLATION SERVICE POINTS

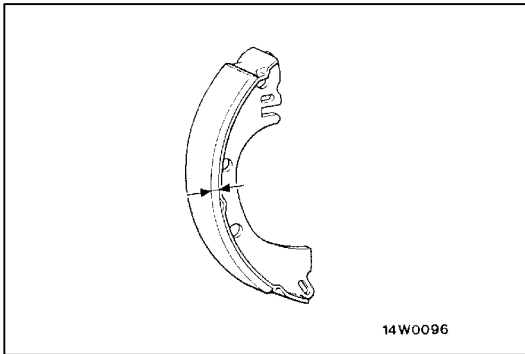
▶A◀ ANCHOR-TO-SHOE SPRING INSTALLATION

The loads on the anchor shoe springs are all different, so the spring indicated by the arrow has been painted for identification.



▶B◀ ADJUSTER ASSEMBLY INSTALLATION

Install the adjuster so that the shoe adjusting bolt for the left-hand wheel is toward the rear of the vehicle, and the shoe adjusting bolt for the right-hand wheel is toward the front of the vehicle.



INSPECTION

36100260157

UNUSUAL WEAR OF THE BRAKE LINING AND BRAKE DRUM

1. Measure the thickness of the brake lining at several places.

Limit: 4.5 mm

Caution

Replace the brake shoes if the thickness of the brake lining is limit value or less.

2. Measure the brake disc drum inner diameter at several places.

Standard value: 197 mm

Limit: 198 mm

Caution

Replace if the brake disc drum inner diameter is the limit value or more.

